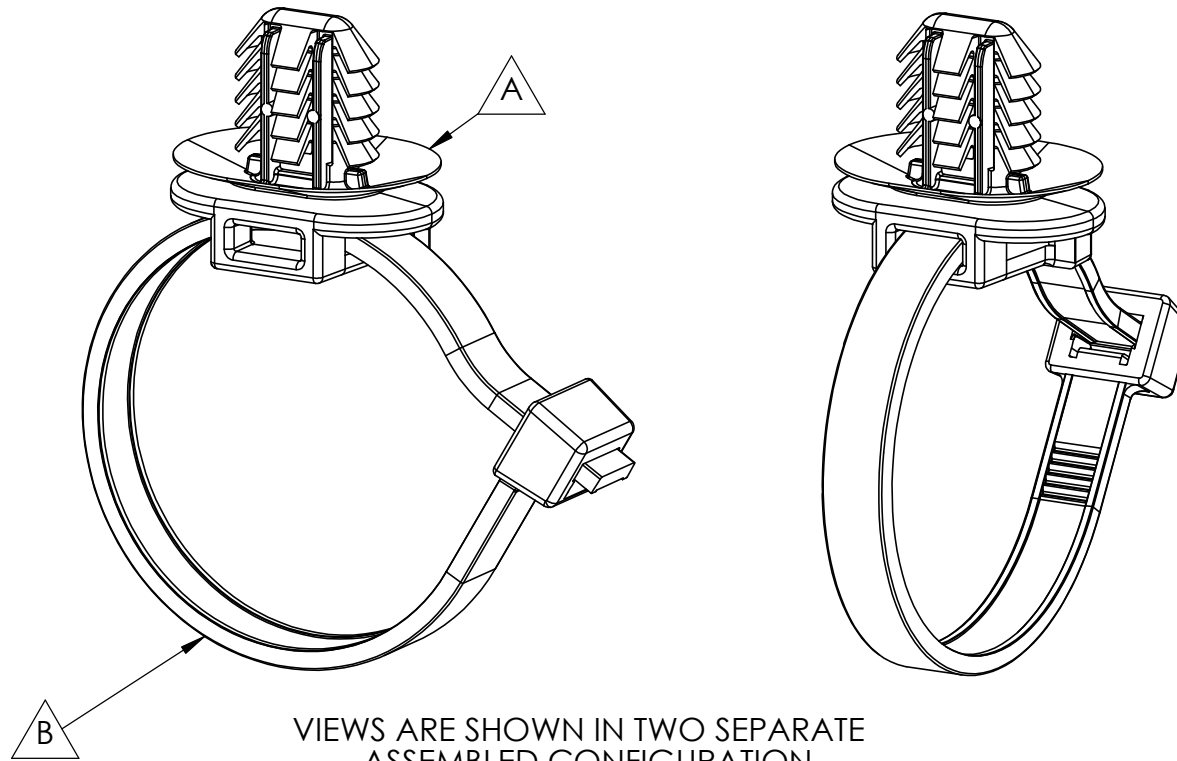


AVERY DENNISON MARKETING SPECIFICATION

© 2021 AVERY DENNISON CORPORATION. ALL RIGHTS RESERVED

HISTORY

| REV. | DATE | DESCRIPTION |
|------|----------|-------------|
| A | 05.17.21 | RELEASED |



VIEWS ARE SHOWN IN TWO SEPARATE ASSEMBLED CONFIGURATION

NOTES:

1. SEE SPECIFIC OVAL FIR TREE CLIP AND CABLE TIE MARKETING SPECS FOR ADDITIONAL PART PERFORMANCE SPECIFICATIONS
2. OVAL FIR TREE CLIP MEETS ALL USCAR-44 SPECIFICATIONS
3. PARTS ARE NOT SOLD SEPARATELY AND ARE BOXED AS A KIT.
4. PARTS BOXED UNASSEMBLED.

| ITEM# | SKU # | DESCRIPTION | MATERIAL | COLOR |
|-------|---------|---------------------------------|-----------|-------|
| A | 20308-0 | OVAL FIR TREE CLIP, HD CT, IMHS | PA66 IMHS | BLACK |
| B | 12100-0 | 14.5" CABLE TIE, HD | PA66 IMHS | BLACK |

| | | | |
|-------------------|------------|----------------------|----------|
| APPROVALS: | ENG. APPR. | <i>D. Gilbertson</i> | 05.17.21 |
| | Q.A. APPR. | <i>R. Estano</i> | 05.17.21 |



FASTENER DIVISION
 FITCHBURG, MA 01420 U.S.A.
 TEL. 1-800-225-5913
 FAX. 978-353-8157

| | | | |
|----------------------------------|--------------|-----------|--|
| <u>SPECIFIED TOLERANCES ARE:</u> | | MATERIAL | DESCRIPTION |
| .XX ± .03 INCHES | .X ± .7 mm | SEE TABLE | OVAL FIR TREE CLIP, 2 PIECE, HEAVY DUTY CT, IMHS |
| .XXX ± .010 INCHES | .XX ± .25 mm | COLOR | STOCK NO. |
| ANGULAR: ± 2° | | SEE TABLE | 20297-0 |

| | |
|------------------------|---|
| CLIP & CT ASSY WEIGHT: | 6.5g |
| PACKAGING: | PACKED SEPARATELY IN ONE BOX 1000 CLIPS/BAG, 1/BOX 100 CT/BAG, 10/BOX |

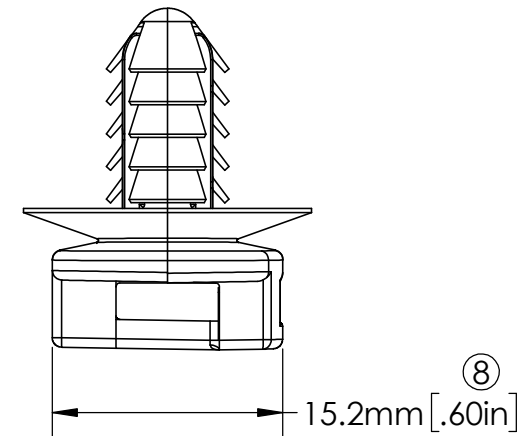
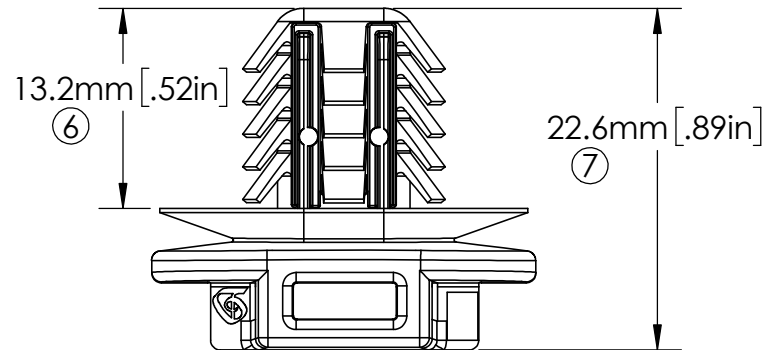
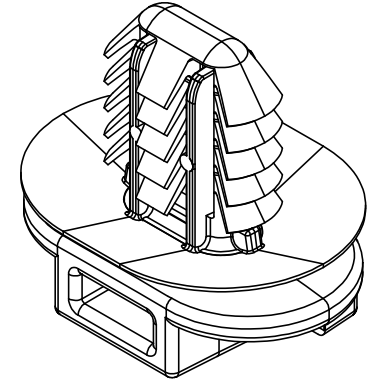
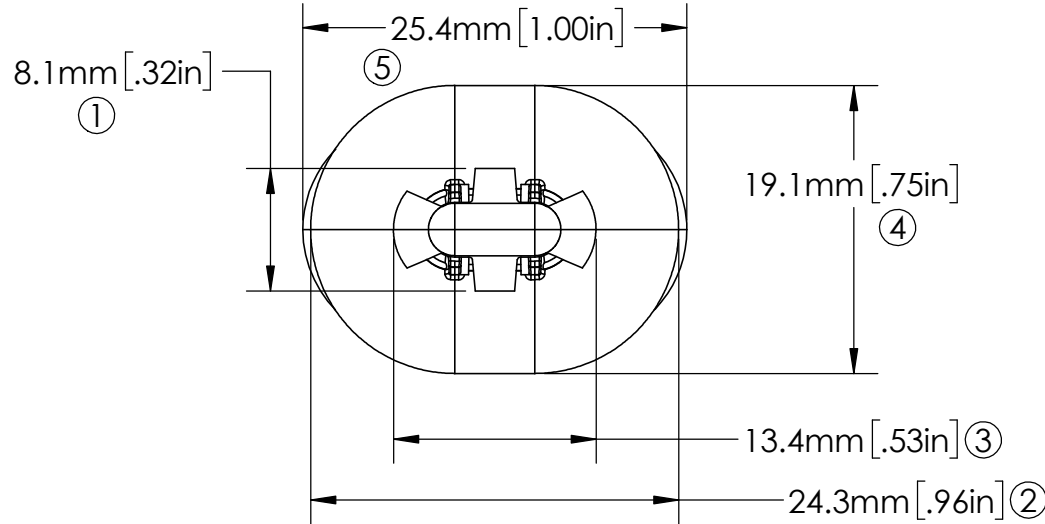
REV. **A**

AVERY DENNISON MARKETING SPECIFICATION

© 2021 AVERY DENNISON CORPORATION. ALL RIGHTS RESERVED

HISTORY

| REV | DATE | DESCRIPTION |
|-----|----------|-------------|
| A | 05.17.21 | RELEASED |



NOTES:

1. SPECIAL CHARACTERISTICS ARE DENOTED BY A Δ
2. OVAL FIR TREE CLIP MEETS ALL USCAR-44 SPECIFICATIONS

9

| | | | |
|-------------------------|--|---|---|
| Δ FLAMMABILITY: | HB RATING PER FMVSS302 | APPROVALS: ENG. APPR. <i>D. Gilbertson</i> 05.17.21 Q.A. APPR. <i>R. Estano</i> 05.17.21 | FASTENER DIVISION FITCHBURG, MA 01420 U.S.A. TEL. 1-800-225-5913 FAX. 978-353-8157 |
| MOUNTING: | 6.2mm X 12.2mm ; 6.5mm X 12.5mm 6.5mm X 13.0mm; 7.0mm X 12.0mm THICKNESS OF 0.6mm TO 7.0mm | | |
| INSERTION: | 10lbf / 44.5N MAX | SPECIFIED TOLERANCES ARE: .XX \pm .03 INCHES .X \pm .7 mm .XXX \pm .010 INCHES .XX \pm .25 mm ANGULAR: \pm 2° | DESCRIPTION OVAL FIR TREE CLIP, HD, IMHS |
| EXTRACTION: | NOM. FORCES: >40lbf / 178N MIN | | |
| OPERATING TEMP RANGE: | -40°F (-40°C) TO 257°F (125°C) CONTINUOUS AND 257°F (135°C) AT MAXIMUM EXPOSURE | MATERIAL | PA66, IMHS |
| OVAL FIR TREE CLIP WGT: | 2.1g | COLOR | BLACK |
| PACKAGING: | 1000 CLIPS/BAG, 1/BOX | STOCK NO. | 20308-0 |
| | | REV. | A |

5

4

3

2

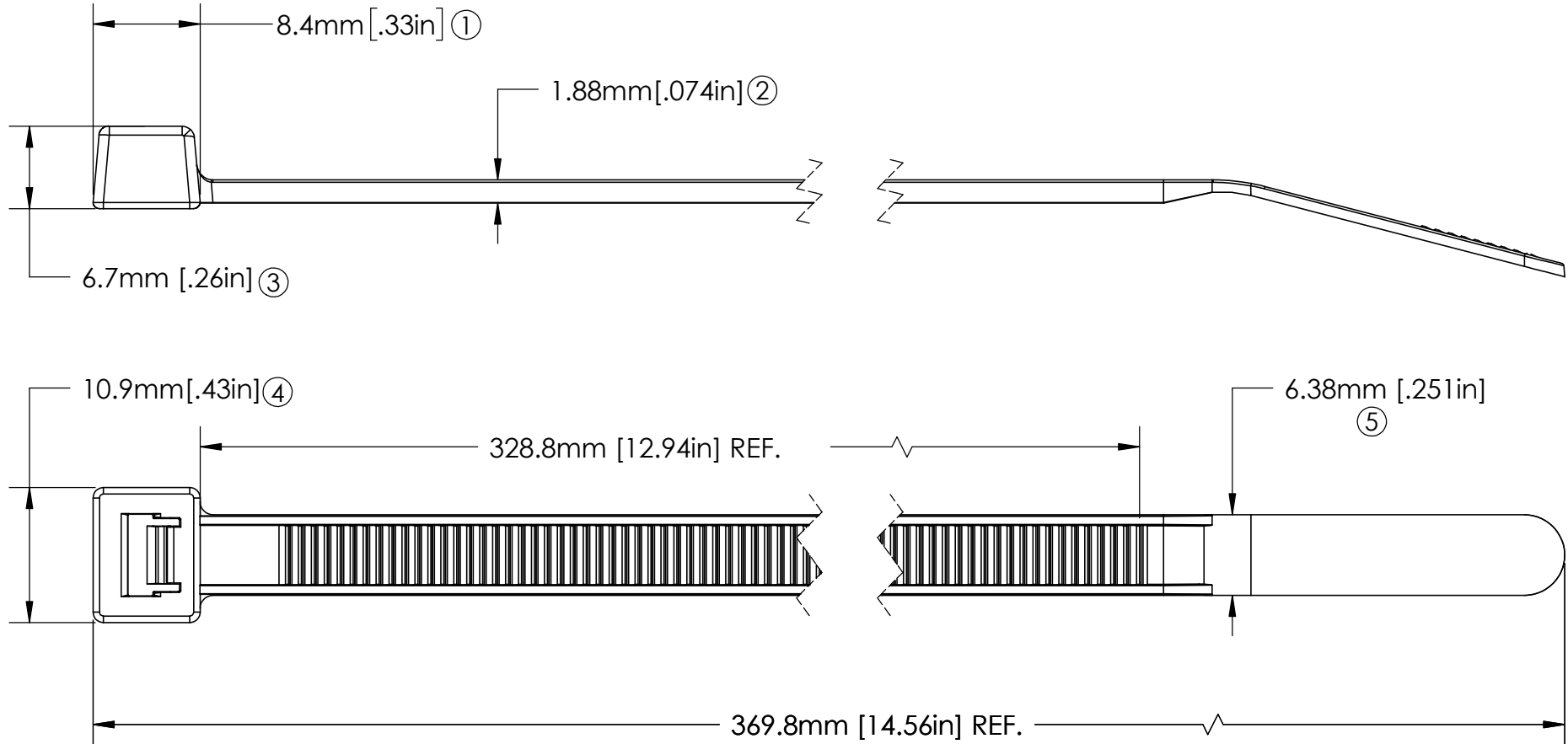
1

AVERY DENNISON MARKETING SPECIFICATION

© 2021 AVERY DENNISON CORPORATION. ALL RIGHTS RESERVED

HISTORY

| REV | DATE | DESCRIPTION |
|-----|----------|-------------|
| A | 05.17.21 | RELEASED |



NOTES:

1. SPECIAL CHARACTERISTICS ARE DENOTED BY A Δ

| | | |
|------------|-----------------------|---|
| ⑥ Δ | FLAMMABILITY: | HB RATED PER FMVSS302 |
| ⑦ Δ | TENSILE STRENGTH: | 445N/ 100lbf MIN. |
| | OPERATING TEMP RANGE: | -40 °F (-40 °C) TO 257 °F (125 °C) CONTINUOUS AND 275 °F (135 °C) AT MAXIMUM EXPOSURE |
| | WEIGHT: | 4.4g |
| | BUNDLE DIAMETER: | ϕ 4.7mm TO ϕ 101.6mm |
| | TOOL: | 12001 - HAND TOOL 12500 - PNEUMATIC TOOL |
| | TOOL TENSION SETTING: | 6 - 8 HEAVY DUTY TOOL |
| | PACKAGING: | 100/BAG, 1000/BOX |

| APPROVALS: | ENG. APPR. | DATE |
|------------|----------------------|----------|
| | <i>D. Gilbertson</i> | 05.17.21 |
| | <i>R. Estano</i> | 05.17.21 |

AVERY DENNISON

FASTENER DIVISION
FITCHBURG, MA 01420 U.S.A.
TEL. 1-800-225-5913
FAX. 978-353-8157

| SPECIFIED TOLERANCES ARE: | MATERIAL | DESCRIPTION |
|---|---------------|---------------------------|
| .XX \pm .03 INCHES .X \pm .7 mm | NYLON66, IMHS | 14.5" CABLE TIE, HD, IMHS |
| .XXX \pm .010 INCHES .XX \pm .25 mm | COLOR | STOCK NO. |
| ANGULAR: \pm 2° | BLACK | 12100-0 |
| | | REV. A |